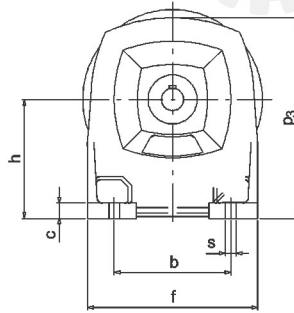
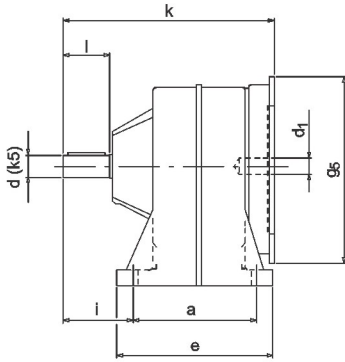


**Manufacturer of
Gearbox & Gear Motors**



SP SERIES (TWO STAGE) HELICAL GEAR BOX (FOOT)



MODEL	Weight (kg)	d1	g5	k	a	b	c	e	f	h	i	p3	s	d	l
SP 102	9.5	14	160	181	106	100	13	134	150	102	60	176	10	19	40
SP 128	15	14	160	207	126	118	16	160	178	128	74	215	14	24	50
	17	19	200	225											
SP 142	17	24	200	242	145	130	18	179	196	142	95	237	14	28	60
	22	19	200	253											
	22	24	200	270											
SP 162	36	19	200	338	205	160	21	245	226	162	120	269	14	38	80
	36	24	200	338											
	36	28	250	341											
SP 185	55	28	250	407	207	185	24	267	257	185	170	364	14	48	108
	55	28	250	407											
	59	38	300	426											

Model : SP 102				
Ratio	HP	RPM	SF	
44.6		32	1	0.5
34.8		41	1.1	
28.4		50	1.3	
22.4		64	1.3	
17.1		84	1.5	
14.2		101	1.5	
12		120	1.9	
9.4		152	1.9	
7.23		199	2.5	
6.05		238	2.5	
4.6		312	3.5	
3.7		390	3.5	

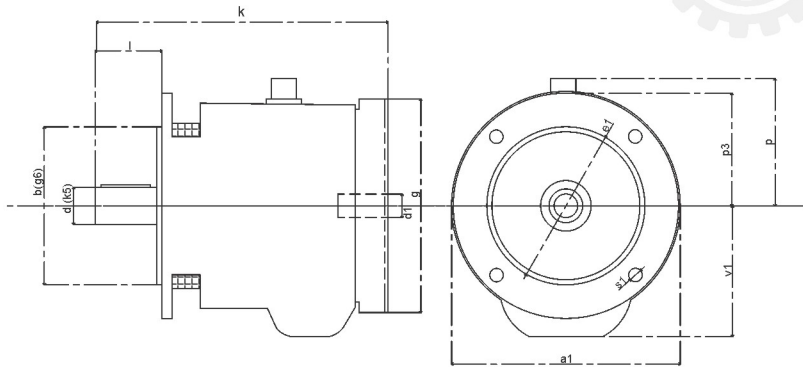
Model : SP 128				
Ratio	HP	RPM	SF	
42.0		35	0.9	1.0
33.4		42	1	
27.5		52	1.2	
23.09		62	1.3	
18.65		77	1.4	
16.8		85	1.4	
13.8		104	1.5	
11.5		125	1.5	
9.68		149	2.5	
7.05		204	2.5	
5.94		242	3	1.0 / 2.0
4.8		300	3.5	
3.6		403	3.5	

Model : SP 142				
Ratio	HP	RPM	SF	
43.0		33	0.8	1.0/2.0
36.3		39	0.9	
28.2		51	1	
22.6		63	1.1	1.5 / 2.0
18.6		77	1.1	
15		96	1.3	
11.4		126	1.7	
9.1		158	1.9	
7.2		199	2.2	
5.8		249	2.5	
4.7		304	3	
3.8		379	3	

Model : SP 162				
Ratio	HP	RPM	SF	
45.0		32	0.8	2.0/3
32.3		45	0.9	
25.4		57	1	
22.7		63	1.1	3.0
18.9		76	1.1	
13.4		107	1.3	
11.4		126	1.7	
10.5		137	1.9	3.0 / 5.0
9.4		153	2.2	
5.8		248	2.5	
4.7		306	3	5.0
3.5		410	3	

Model : SP 185				
Ratio	HP	RPM	SF	
32.3		44	1.1	5.0
27.5		52	1.2	
23		60	1.4	
19		73	1.6	
14.4		99	2.1	7.5
11.5		125	2.6	
10.5		156	2.6	
6.8		209	2.8	
4.9		290	2.8	
3.6		400	3.0	

SP SERIES (TWO STAGE) HELICAL GEAR BOX (FLANGE)



MODEL	Weight (kg)	d1	g	k	a1	b1	c1	e1	f1	p3	s	v1	d	l
102	9.5	14	160	181	145	110	10	130	4	73	9	100	19	40
128	15	14	160	207	172	130	10	165	4	86	11	128	24	50
	17	19	200	225										
	17	24	200	242										
142	22	19	200	253	190	130	10	165	4	95	11	140	28	50
	22	24	200	270										
162	36	24	200	338	216	180	12	215	4	108	14	160	38	80
	36	28	250	341										



NMRV SERIES WORM GEAR BOX



SELECTION TABLE

Model	Ratio(i)	Motor (Kw)	RPM (n2)
BOX 30	7.5	0.18	187
	10		140
	15		93
	20		70
	25		56
	30		46.9
	40		35
	50		28
	60		23
	80		17.5
100	14		

Model	Ratio(i)	Motor (Kw)	RPM (n2)
BOX 40	7.5	0.37	187
	10		140
	15		93
	20		70
	25		56
	30	46.9	
	40	0.25	35
	50	28	
	60	23	
	80	0.18	17.5
100	14		

Model	Ratio(i)	Motor (Kw)	RPM (n2)
BOX 50	7.5	0.75	187
	10		140
	15		93
	20	70	
	25	0.55	56
	30	46.9	
	40	35	
	50	0.37	28
	60	23	
	80	0.18	17.5
100	14		

Model	Ratio(i)	Motor (Kw)	RPM (n2)
BOX 63	7.5	1.5	187
	10		140
	15		93
	20	1.1	70
	25	56	
	30	46.9	
	40	0.75	35
	50	0.55	28
	60	23	
	80	0.37	17.5
100	14		

Model	Ratio(i)	Motor (Kw)	RPM (n2)
BOX 75	7.5	2.2	187
	10		140
	15		93
	20	70	
	25	1.5	56
	30	46.9	
	40	1.1	35
	50	28	
	60	23	
	80	0.75	17.5
100	14		

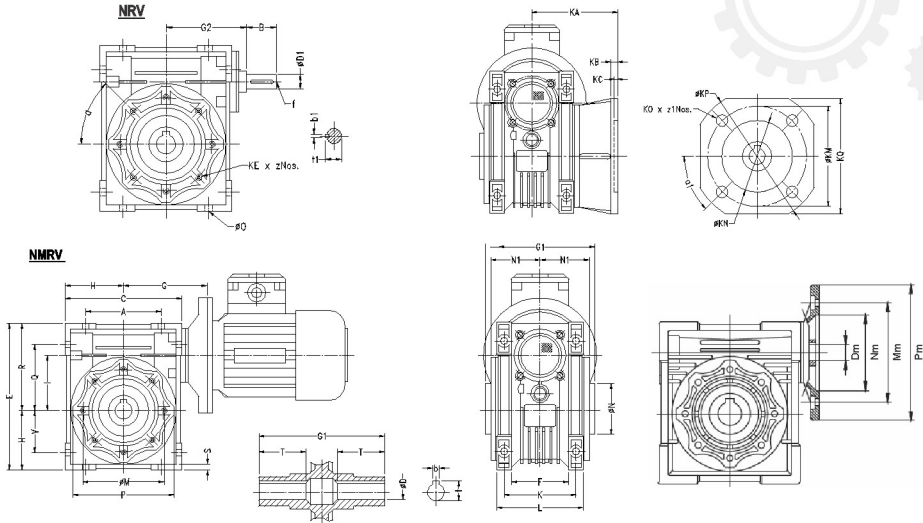
Model	Ratio(i)	Motor (Kw)	RPM (n2)
BOX 90	7.5	4	187
	10		140
	15		93
	20	70	
	25	2.2	56
	30	46.9	
	40	35	
	50	28	
	60	1.5	23
	80	1.1	17.5
100	14		

Model	Ratio(i)	Motor (Kw)	RPM (n2)
BOX 110	7.5	4	187
	10		140
	15		93
	20		70
	25		56
	30	46.9	
	40	35	
	50	2.2	28
	60	23	
	80	1.5/1.1	17.5
100	14		

Model	Ratio(i)	Motor (Kw)	RPM (n2)
BOX 130	7.5	7.5	187
	10		140
	15		93
	20		70
	25	5.5	56
	30	46.9	
	40	35	
	50	4	28
	60	23	
	80	2.2	17.5
100	14		

Model	Ratio(i)	Motor (Kw)	RPM (n2)
BOX 150	10	7.5	150
	15		93
	20		70
	25	56	
	30	5.5	46.9
	40	35	
	50	4	28
	60	23	
	80	2.2	17.5
	100	14	

NMRV SERIES WORM GEAR BOX



Dimension of NMRV

MODEL	A	C	G	E	H	I	K	KE	L	M	N(h8)	O	Q	R	S	V	OUTPUT				
																	G1	D(H7)	b	t	KA
BOX 30	54	80	55	97	40	30	44	M6X11(n 4)	56	65	55	6.5	44	57	5.5	27	63	14	5	16.3	54.5
BOX 40	70	101	72	121	50	40	60	M6X10(n 4)	71	75	60	6.5	55	71.5	6.5	35	78	18	6	20.8	67/97
BOX 50	80	121.5	89.5	144	60	50	70	M8x10(n 4)	85	85	70	8.5	64	84	7	40	92	25	8	28.3	90/120
BOX 63	100	147.5	104.5	174	72	63	85	M8X14(n 8)	103	95	80	8.5	80	102	8	50	112	25	8	28.3	82/112
BOX 75	120	174	114	205	86	75	90	M8x14(n 8)	112	115	95	11.5	93	119	10	60	120	28	8	31.3	111
BOX 90	140	208	129.5	238	103	90	100	M10x18(n 8)	130	130	110	13	102	135	11	70	140	35	10	38.3	111
BOX 110	170	255	153.5	295	128.5	110	115	M10x18(n 8)	144	165	130	14	125	167.5	14.5	85	155	42	12	45.3	131
BOX 130	200	292.5	180	335	147.5	130	120	M12x21(n 8)	155	215	180	16	140	187.5	15.5	100	170	45	14	48.8	140
BOX 150	240	340	210	400	170	150	145	M12x21(n 8)	185	215	180	18	180	230	18	120	200	50	14	53.8	155

Input and Combination

MODEL	MOTOR TYPE	Nm	Mm	Pm	Dm	tm	bm			
BOX 30	B5	95	115	140	11	12.8	4			
	B14	60	75	90						
BOX 40	B5	95	115	140	11	12.8	4			
	B14	60	75	90						
	B5	110	130	160				14	16.3	5
	B14	70	85	105				14	16.3	5
BOX 50	B5	95	115	140	11	12.8	4			
	B5	110	130	160				14	16.3	5
	B14	70	85	105				14	16.3	5
	B5	130	165	200				19	21.8	6
BOX 63	B5	130	165	200	19	21.8	6			
	B14	80	100	120				19	21.8	6
	B5	110	130	160				14	16.3	5
	B14	70	85	105				14	16.3	5
BOX 75	B5	130	165	200	19	21.8	6			
	B14	80	100	120				19	21.8	6
	B5	110	130	160				14	16.3	5
	B14	70	85	105				14	16.3	5
BOX 90	B5	130	165	200	19	21.8	6			
	B14	80	100	120				19	21.8	6
	B5	110	130	160				14	16.3	5
	B14	70	85	105				14	16.3	5
BOX 110	B5	130	165	200	19	21.8	6			
	B14	80	100	120				19	21.8	6
	B5	110	130	160				14	16.3	5
	B14	70	85	105				14	16.3	5
BOX 130	B5	130	165	200	19	21.8	6			
	B14	80	100	120				19	21.8	6
	B5	130	165	200				24	27.3	8
	B14	95	115	140				24	27.3	8

BOXTYPE	MOTOR TYPE	Nm	Mm	Pm	Dm	tm	bm
BOX 30	B5	130	165	200	19	21.8	6
	B5						
	B5						
BOX 40	B5	180	215	250	28	31.3	8
	B14						
	B5						
	B5						
BOX 50	B5	130	165	200	19	21.8	6
	B5						
	B14						
	B5						
BOX 63	B5	110	130	160	28	31.3	8
	B14						
	B5						
	B5						
BOX 75	B5	130	165	200	24	27.3	8
	B5						
	B5						
	B5						
BOX 90	B5	180	215	250	28	31.3	8
	B5						
	B5						
	B5						
BOX 110	B5	230	265	300	38	41.3	10
	B5						
	B5						
	B5						
BOX 130	B5	180	215	250	28	31.3	8
	B5						
	B5						
	B5						
BOX 150	B5	180	215	250	28	31.3	8
	B5						
	B5						
	B5						

About Us

SPEEDO GEAR PVT. LTD. (SGPL) is an Engineering, Technology & Innovation focused Engineering services provider with global operations.

SGPL established in 2021 (Formerly known as Speedo Drive and operating since 2010)

We are glad to introduce ourselves as a leading manufacturer and exporter of Gear Box & Gear Motor in Ahmedabad, India. Our brand name "SPEEDO GEAR" has made its goodwill all over the India. Our product range consists of SP & M Series - Inline Helical Gearboxes, NMRV Gear Boxes, Worm Gear Motor, Helical Gear Motor, AC Induction Motors. Based on a strong foundation of 10 years of experienced and qualified team, we are one of the rapidly growing industries in terms of quality, design, and technical aspects. The phenomenal success of the organization in the last few years has been largely due to the hard work and dedication of its diligent workforce.

Our dynamic leadership has made the company competent and well-qualified professionals to attain and maximize clients' satisfaction we don't believe in just supplying machine but believe in building a long time business relationship by committed quality, proper pre and after sales services and adjusting to customer's requirements. That is why today we have a manufactured global base with thousands of SPEEDO Gear Boxes operational all over the nation.

Our administrative and manufacturing practices, coupled with ISO 9001-2015 certified procedures yield continual improvements in quality and on-time delivery performance that rank us amongst the best in our industry. We have a relentless commitment to excellence, innovation and sustain ability. Our team creates, distributes and services world-class power transmission solutions to keep the India. SGPL shall achieve excellence in its Manufacturing activity with focus on Zero Defect, On Time Delivery and Enhancing Range of Products.

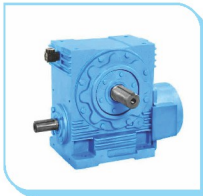
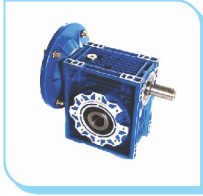
MANUFACTURING FACILITY

We have a state of art manufacturing facility in Ahmedabad, Gujarat India. We have TOS make Gear Hobbing machine, TOS Make grinding machine, CNC turning center to ensure high quality standards. Our gear case are always process on HMC machine only to obtain higher quality. We use the following high class manufacturing & testing facilities.

OUR VISION

Quality & precision are one of the key objectives of concern at SPEEDO GEAR on the production line. We take it as a responsibility and not as a standard of requirement.





Manufacturer of Gearbox & Gear Motors

B/10/1, Anup Estate, B/h. Bharat Party Plot, Rabari Colony Cross Road,
Amraiwadi, Ahmedabad-380026, Gujarat, India.

Email : speedogearpvtltd@gmail.com

Website : www.speedogears.com

M : +91 901671 0550, 95129 10550